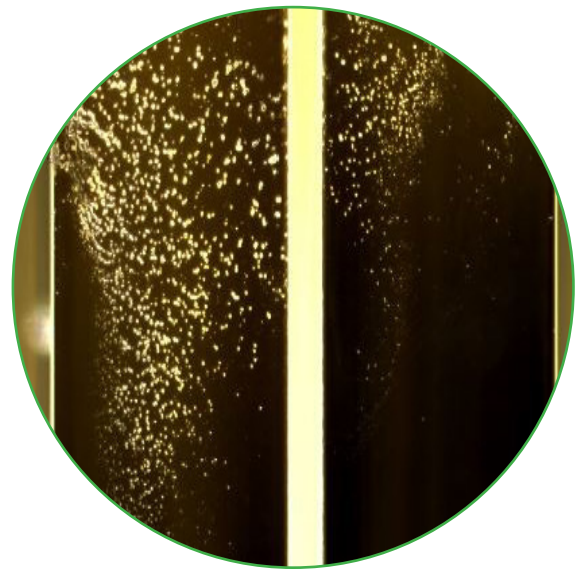




M50RX Metallurgical Microscope

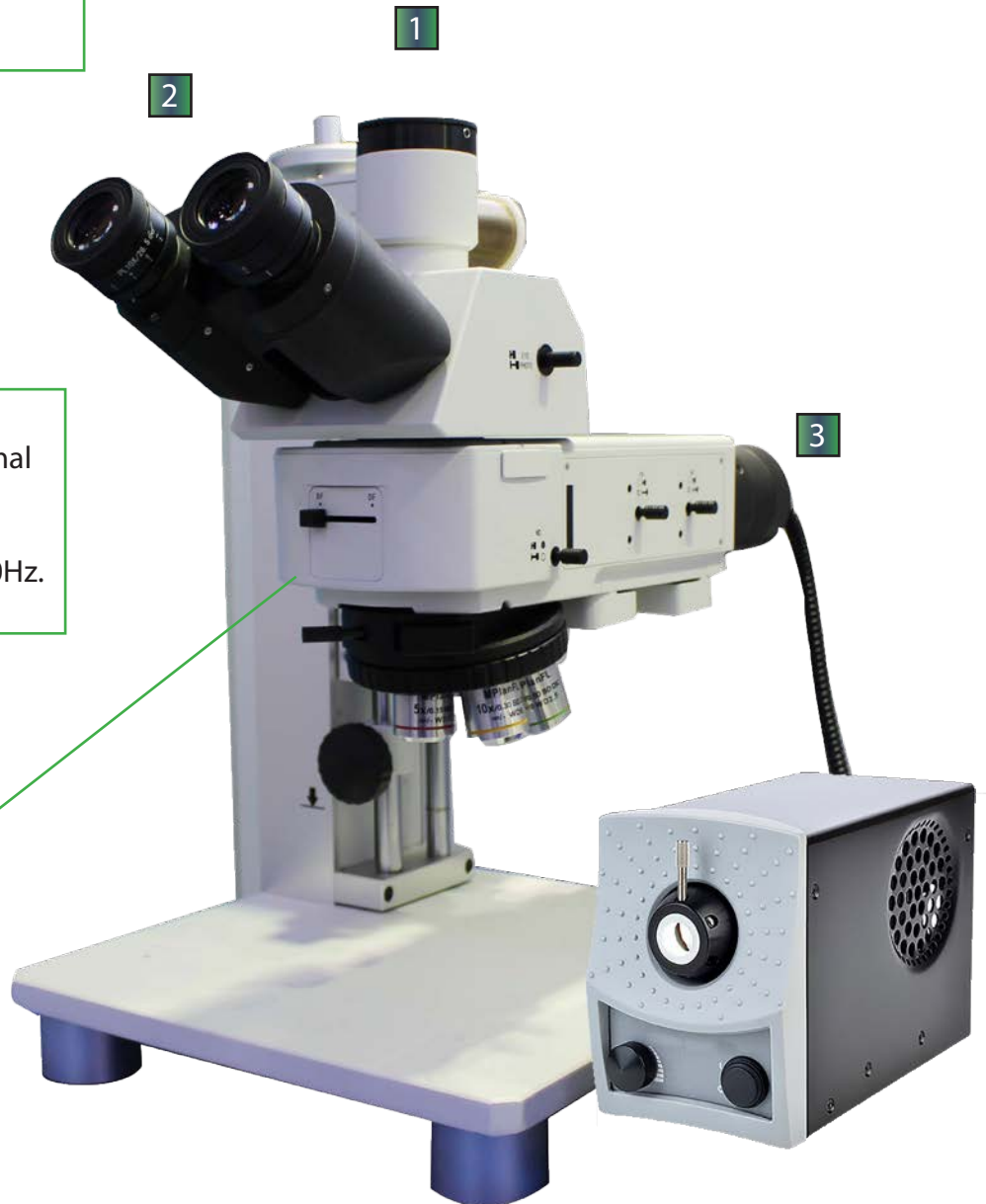
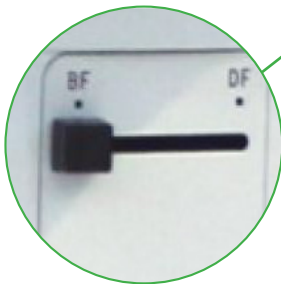


M50RX Metallurgical Microscope Features

1 Ergonomically inclined trinocular head with eyetubes at 30°. Erect image and splitting ratio of 0:100 or 100:0. Interpupillary distance adjustable 50-76mm.

2 WFPL 10x/22mm or WFPL 10x/25mm eyepieces with diopter adjustment.

3 High intensity LED fiber optic illuminator with on board thermal sensors, 80W, 25,000 hours lifetime, auto voltage sensing power supply 96-264VAC, 50-60Hz.



M50RX Metallurgical Microscope Features



4 Lead screw drive with crank lifting gear has a total travel range of 210mm to accommodate sample heights up to 250mm with a minimum sample height of 35mm.

5 Rugged stage with large surface area to handle large samples. Stage measures 340mm x 350mm.

6 Coaxial coarse and fine focus with tension adjustment. Coarse focus adjustable distance is 45mm and fine precision 0.002mm.

7 Brightfield / Darkfield quintuple nosepiece with DIC slot holds Infinity corrected high resolution brightfield or brightfield / darkfield Semi Apochromat objective lenses.



High Resolution Brightfield Semi Apo Objectives

- BF-SAPO-M5, Semi Apo Metallurgical 5x objective; NA 0.15; WD 19.5mm
- BF-SAPO-M10, Semi Apo Metallurgical 10x objective; NA 0.30; WD 10.9mm
- BF-SAPO-M20, Semi Apo Metallurgical 20x objective; NA 0.50; WD 3.2mm
- BF-SAPO-M50, Semi Apo Metallurgical 50x objective; NA 0.80; WD 1.2mm
- BF-SAPO-M100, Semi Apo Metallurgical 100x objective; NA 0.90; WD 1.0mm

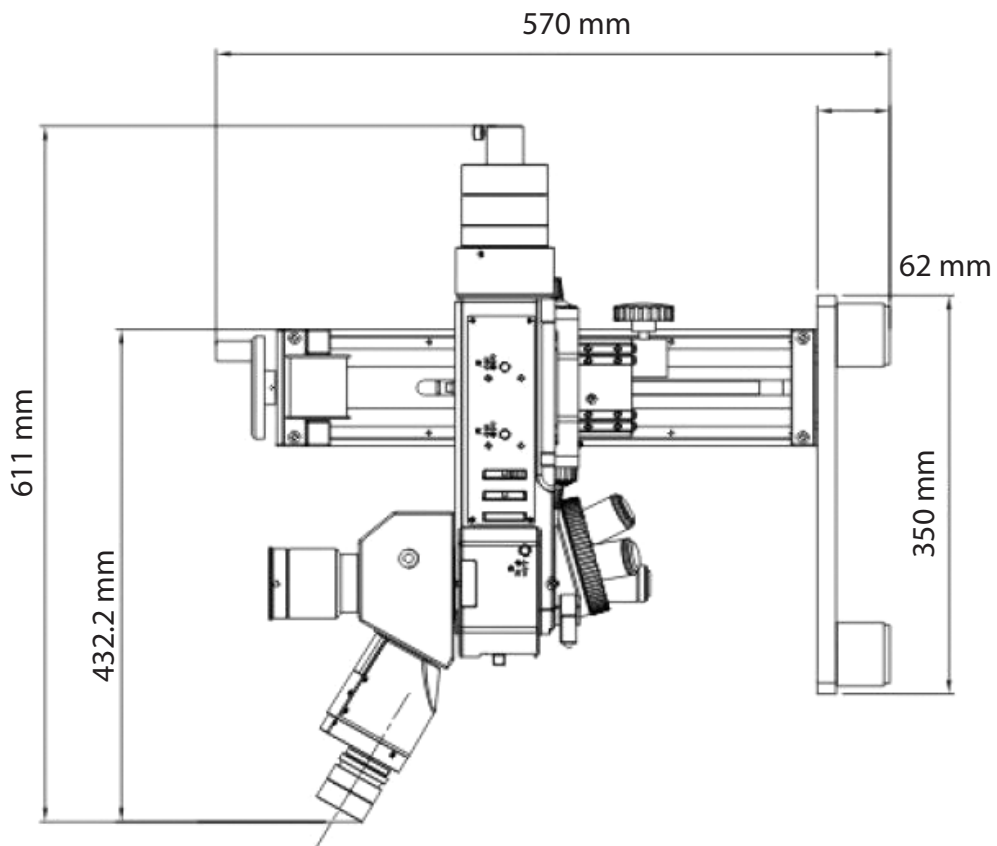
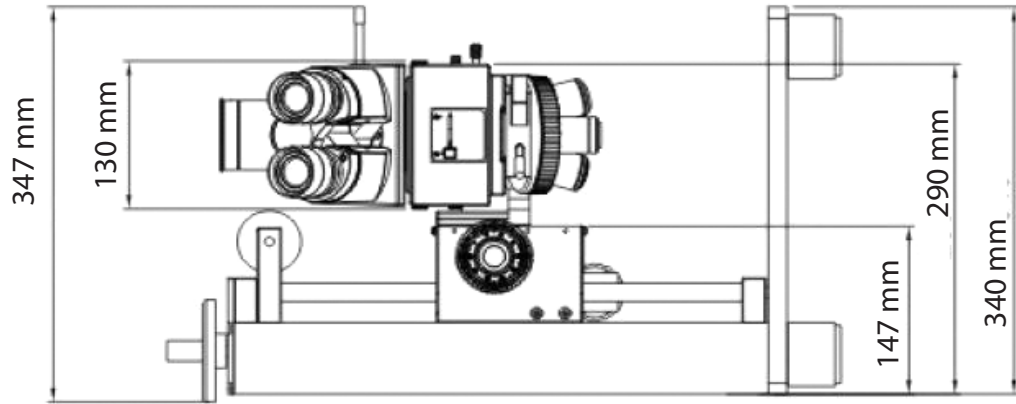
High Resolution Brightfield / Darkfield Semi Apo Objectives

- BD-SAPO-M5, Brightfield / Darkfield Semi Apo 5x objective; NA 0.15; WD 19.5mm
- BD-SAPO-M10, Brightfield / Darkfield Semi Apo 10x objective; NA 0.30; WD 10.9mm
- BD-SAPO-M20, Brightfield / Darkfield Semi Apo 20x objective; NA 0.45; WD 3.2mm
- BD-SAPO-M50, Brightfield / Darkfield Semi Apo 50x objective; NA 0.80; WD 1.3mm
- BD-SAPO-M100, Brightfield / Darkfield Semi Apo 100x objective; NA 0.90; WD 1.0mm



M50RX Metallurgical Microscope Specifications

Optical System	Infinity Color Corrected Optical System
Viewing Head	30° inclined trinocular head, erect image. Interpupillary distance adjustable 50~76mm. Light is split 0:100 or 100:0.
Eyepieces	WFPL10x eyepieces, FN22, diopter adjustable.
	WFPL10x eyepieces, FN25, diopter adjustable.
Objective Lenses	Infinity Corrected High Resolution Brightfield Semi Apo Objectives 5x, 10x, 20x, 50x, 100x
	Infinity Corrected High Resolution Brightfield / Darkfield Semi Apo Objectives 5x, 10x, 20x, 50x, 100x
Nosepiece	Quintuple nosepiece with DIC slot.
	Brightfield/Darkfield quintuple nosepiece with DIC slot.
Focus Adjustment	Coaxial coarse and fine focus. Coarse adjustable distance is 45mm, fine precision 0.002mm.
Body	Lead screw drive with lifting gear. Total travel 210mm with maximum sample height of 250mm and min height of 35mm.
Stage	Rugged metal stage with large surface area measures 340mm x 350mm.
Illumination	High intensity LED fiber optic illuminator with on board thermal sensors, 80W, 25,000 hours lifetime, auto voltage sensing power supply 96-264VAC, 50-60Hz.
Polarization	Analyzer and 360° rotatable polarizer.
C-Mount Adapter	0.5x, 0.65x, 1x c-mount adapter.



info@feinoptic.com
www.feinoptic.com